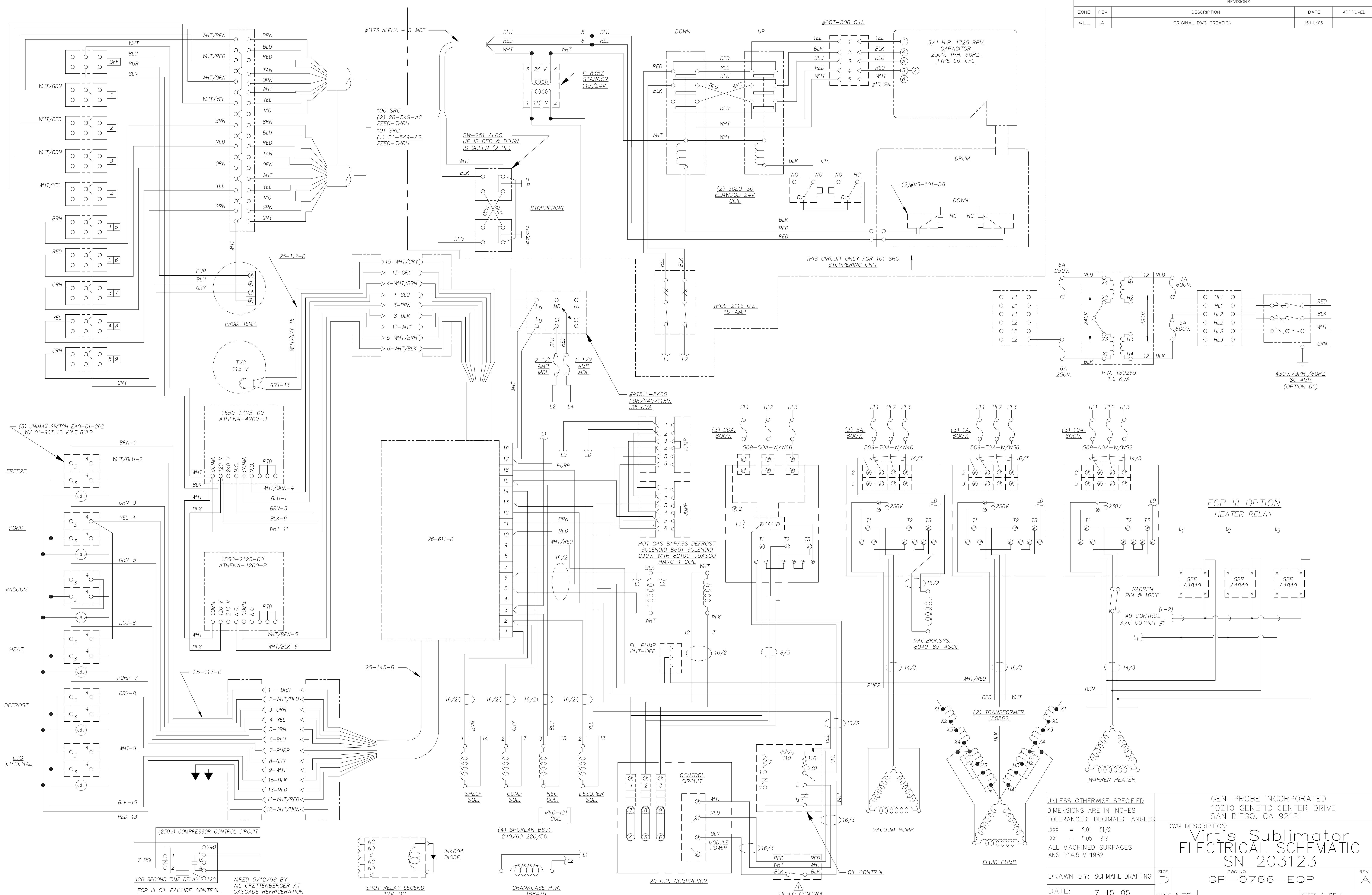


REVISIONS				
ZONE	REV	DESCRIPTION	DATE	APPROVED
ALL	A	ORIGINAL DWG CREATION	15JULY05	

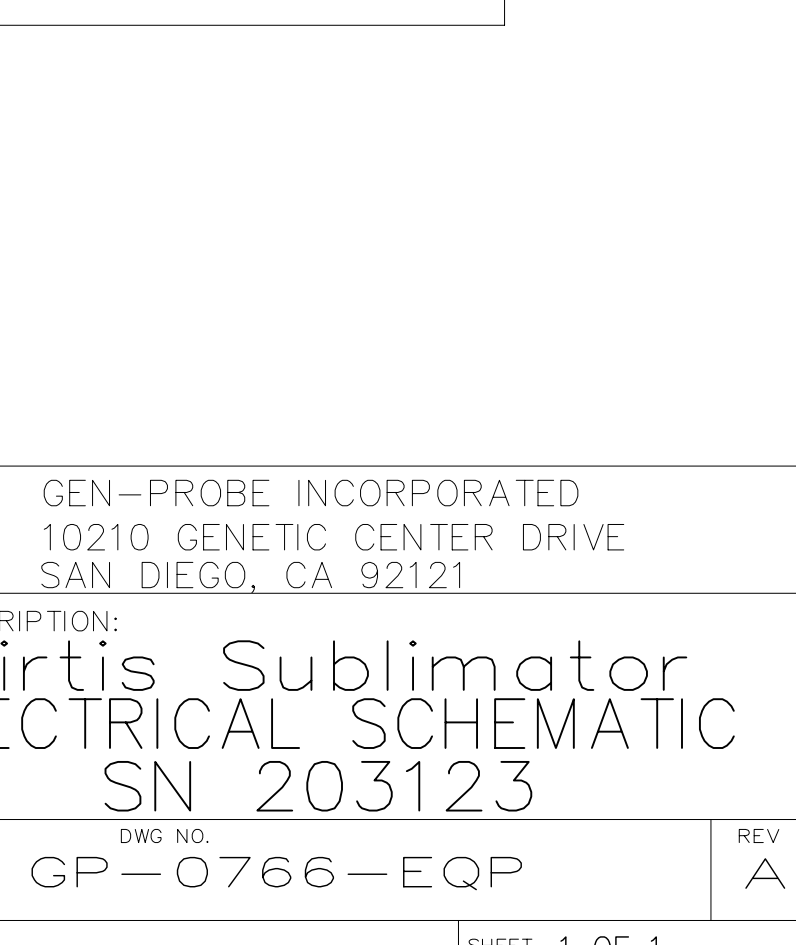
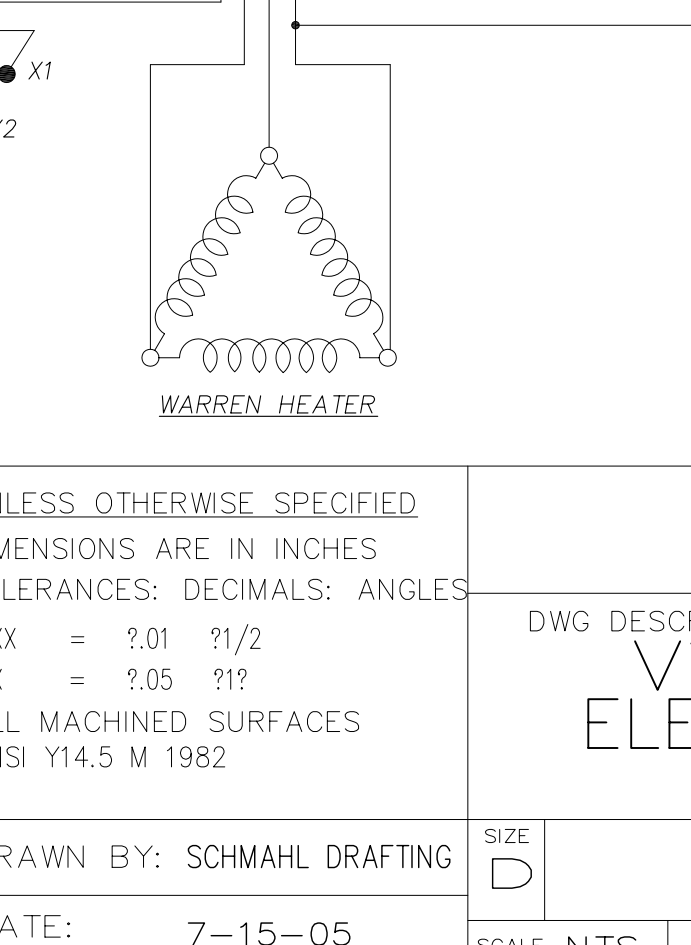
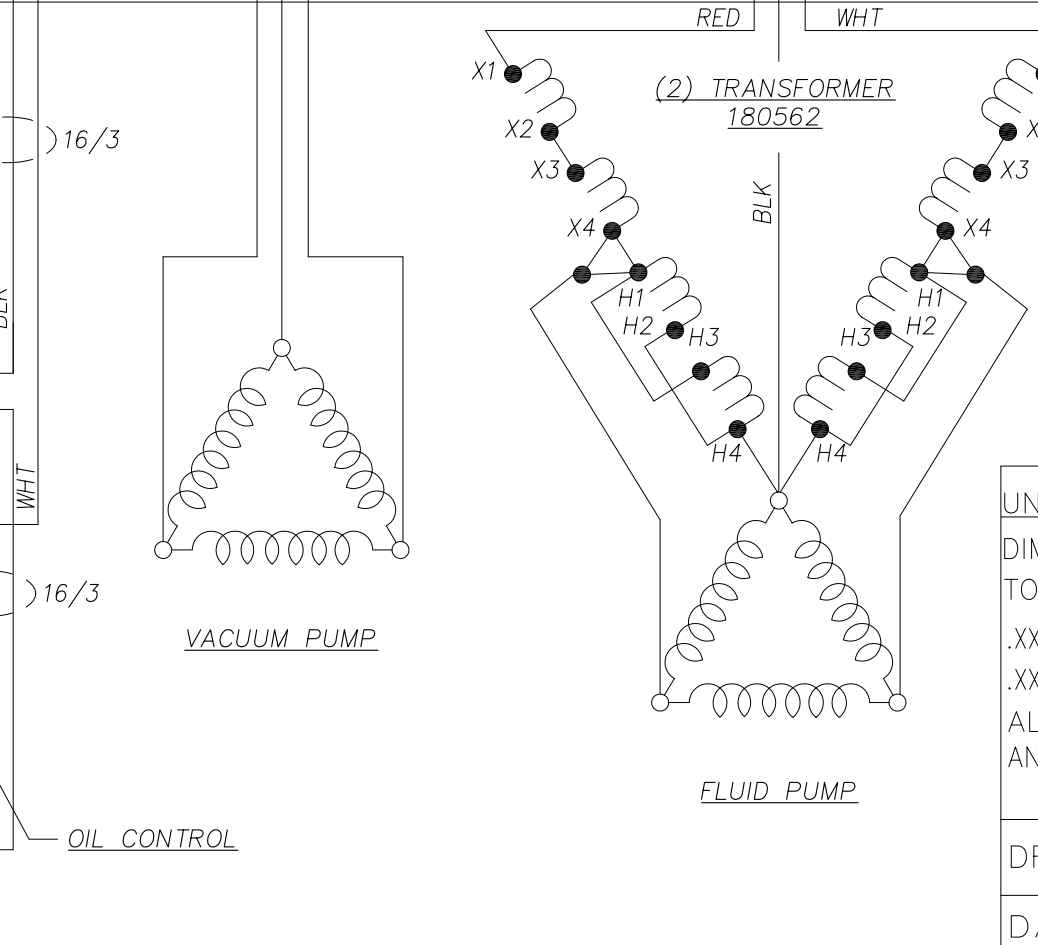
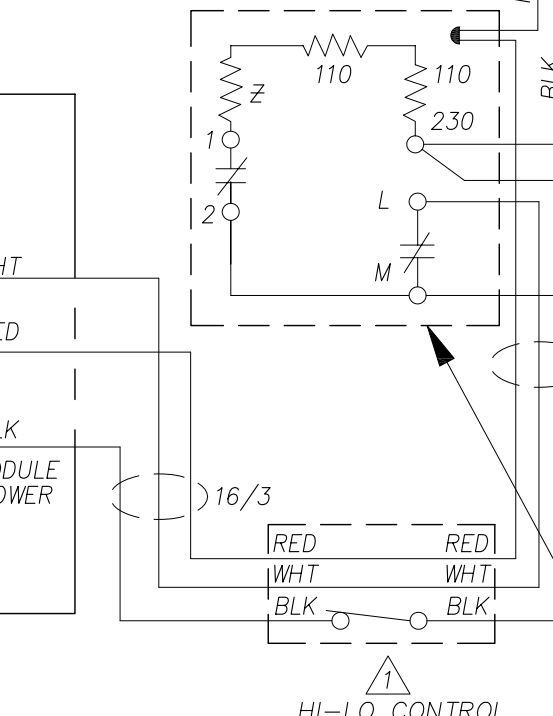
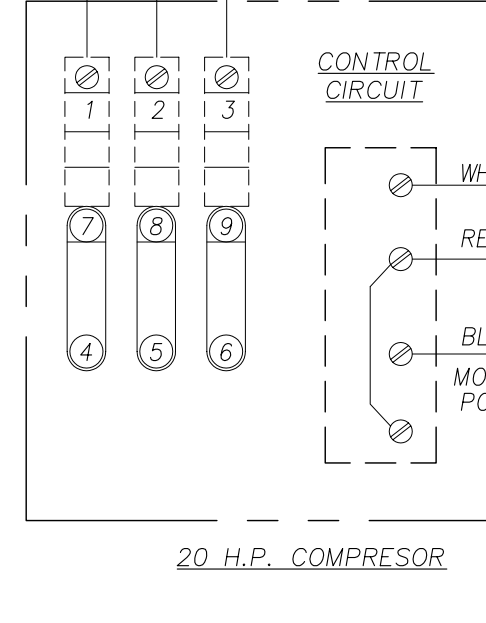
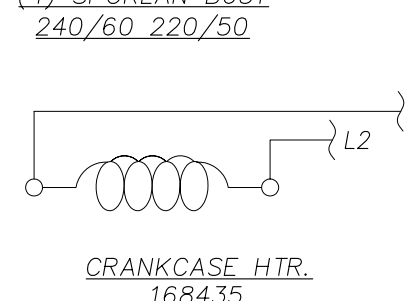
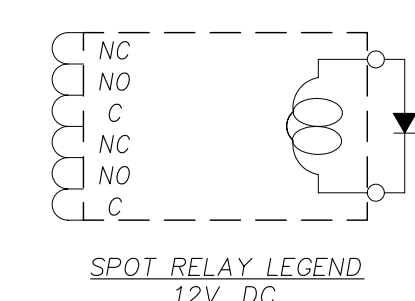
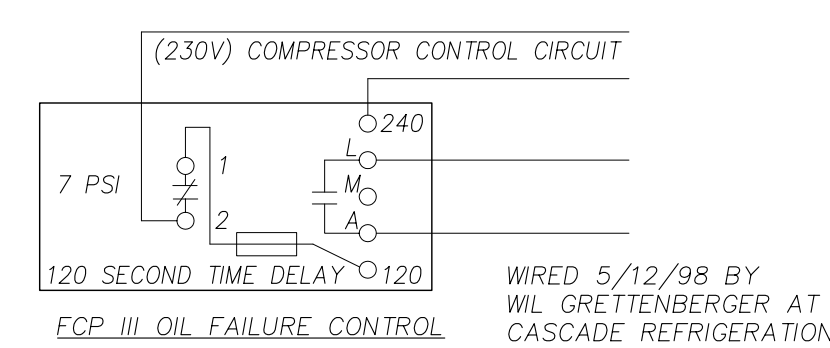


UNLESS OTHERWISE SPECIFIED
 DIMENSIONS ARE IN INCHES
 TOLERANCES: DECIMALS: ANGLES
 .XXX = ?01 ?1/2
 .XX = ?05 ?1?
 ALL MACHINED SURFACES
 ANSI Y14.5 M 1982

GEN-PROBE INCORPORATED
 10210 GENETIC CENTER DRIVE
 SAN DIEGO, CA 92121
 DWG DESCRIPTION:
Virtis Sublimator
ELECTRICAL SCHEMATIC
 SN 203123

DRAWN BY: SCHMAHL DRAFTING
 DATE: 7-15-05

SIZE: D
 SCALE: NTS
 SHEET 1 OF 1



D

D

C

C

B

B

A

A

8

7

6

5

4

3

2

1

8

7

6

5

4

3

2

1